



THE UNIVERSE OF INSTALLATION

INDOORS MINI SPEAKER

 **Bluetooth**
User's Manual



CSB SERIES



SHOW® is a registered trademark of
SEIKAKU TECHNICAL GROUP LIMITED

SEIKAKU TECHNICAL GROUP LIMITED

NO.1 LANE 17, SEC.2, HAN SHI WEST ROAD, TAICHUNG 40151, TAIWAN

tel: 886-4-22313737 - fax: 886-4-22346757

www.show-pa.com

seikaku@seikaku.com

NF03288-1.0

www.show-pa.com

INDEX

- 1 SAFETY RELATED SYMBOLS**
- 1 WARNING**
- 2 IMPORTANT SAFETY INSTRUCTION**
- 3 INTRODUCTION**
- 3 CONTROL ELEMENTS**
- 4 INSTALLATION DESCRIPTION**
- 6 BLOCK DIAGRAM**
- 7 TO SET-UP 2 LOUDSPEAKERS(STEREO)**
- 8 TO SET-UP 1 LOUDSPEAKER**
- 9 TECHNICAL SPECIFICATIONS**

IMPORTANT!

Please read this manual carefully before operating this unit for the first time.

All rights reserved to SEIKAKU. All features and content might be changed without prior notice. Any photocopy, translation, or reproduction of part of this catalogue without written permission is forbidden. Copyright © 2009 SEIKAKU GROUP

TECHNICAL SPECIFICATIONS

Model:	CSB-20BT	CSB-40BT
Power System	Class D,20W Continuous , 40W Peak	Class D,40W Continuous , 60W Peak
Maximum SPL @ 1m	85dB Continuous/88dB Peak	87dB Continuous/90dB Peak
Frequency Response	150Hz-20KHz (-10dB)	95Hz-18KHz (-10dB)
BT Frequency Range	2400~2500MHz	2400~2500MHz
Transducer Driver	3" (78x78mm) Full Range, 0.8" (20.4mm) voice coil	4" (106x106mm) Full Range, 1.0" (25.4mm) voice coil
Inputs	L/R RCA and 1/4" Balanced Input	L/R RCA and 1/4" Balanced Input
External Controls	Volume Control/ Bluetooth Link with Red LED/ Bluetooth Pair with Green LED / Bluetooth Pair Switch / Power Switch	Volume Control/ Bluetooth Link with Red LED/ Bluetooth Pair with Green LED / Bluetooth Pair Switch / Power Switch
Wireless connectivity	Bluetooth(A2DP)	Bluetooth(A2DP)
Wireless range	30-40 feet (9-12 meters), Typical	30-40 feet (9-12 meters), Typical
Power Supply	AC 220-240V or AC 110-120 Volt, 50/60Hz	AC 220-240V or AC 110-120 Volt, 50/60Hz
Protection features	Over-excursion, thermal, short circuit protection	Over-excursion, thermal, short circuit protection
Enclosure Construction	Injection-molded polypropylene enclosure ; perforated steel grille.	Injection-molded polypropylene enclosure ; perforated steel grille.
Mounting information	PP plastic carton can revolve for 180°with revolved fixing shelf	PP plastic carton can revolve for 180°with revolved fixing shelf
Dimensions (HxWxD)	115x110x175 mm (4.53" x 4.33" x 6.89")	136 x 140 x 206 mm (5.35" x 5.51" x 8.11")
Net Weight	1.35kg / 2.98 lbs	2.56kg / 5.64 lbs

Bluetooth PIN#:2013

6. Wait for device to pair. This may take a while (roughly 10 seconds or longer).

When successfully paired, the tones will stop and the PAIR BLUE LED will light solid. If the device fails to connect try steps 5-6 again.

7. Play Music.

Note, IF YOU ARE EXPERIENCING PROBLEMS:

- (1) Reset your loudspeaker by pressing and holding the PAIR BUTTON for 10 seconds until you hear a long tone.
- (2) On your Bluetooth device, select "Forget" or "Unpair" SEIKAKU BT2.1 ONS.
- (3) Repeat steps 1-7.

TO SET-UP 1 LOUDSPEAKER

1. Press and release **PAIR BUTTON** on the loudspeaker.

You should hear a tone (beep); the PAIR BLUE LED will flash.

2. Select **SEIKAKU BT2.1 ONS** on your Bluetooth audio device (iPhone, iPad, Bluetooth adapter etc.).

3. Wait for device to pair. This may take a while (roughly 10 seconds or longer).

When successfully paired, the tones will stop and the PAIR BLUE LED will light solid.

If the device fails to connect try steps 2-3 again.

4. Play Music.

TO RECONNECT AFTER POWER OFF/ON:

MASTER and SLAVE loudspeakers will reconnect automatically. On your Bluetooth audio device, pick SEIKAKU BT2.1 ONS and press connect.

SAFETY RELATED SYMBOLS



The symbol is used to indicate that some hazardous live terminals are involved within this apparatus, even under the normal operating conditions.

The symbol is used in the service documentation to indicate that specific component shall be only replaced by the component specified in that Documentation for safety reasons.

Protective grounding terminal.

Alternating current / voltage.

Hazardous live terminal.

ON: Denotes the apparatus turns on.

OFF: Denotes the apparatus turns off, because of using the single pole switch, be sure to unplug the AC power to prevent any electric shock before you proceed your service.

WARNING: Describes precautions that should be observed to prevent the danger of injury or death to the user.

Disposing of this product should not be placed in municipal waste and should be separate collection.

CAUTION: Describes precautions that should be observed to prevent danger of the apparatus.

WARNING

• **Power Supply**

Ensure the source voltage matches the voltage of the power supply before turning ON the apparatus.

Unplug this apparatus during lightning storms or when unused for long periods of time.

• **External Connection**

The external wiring connected to the output hazardous live terminals requires installation by an instructed person, or the use of ready-made leads or cords.

• **Do not Remove any Cover**

There are maybe some areas with high voltages inside, to reduce the risk of electric shock, do not remove any cover if the power supply is connected.

The cover should be removed by the qualified personnel only.

No user serviceable parts inside.

• **Fuse**

To prevent a fire, make sure to use fuses with specified standard (current, voltage, type). Do not use a different fuse or short circuit the fuse holder.

Before replacing the fuse, turn OFF the apparatus and disconnected the power source.

• **Protective Grounding**

Make sure to connect the protective grounding to prevent any electric shock before turning ON the apparatus.

Never cut off the internal or external protective grounding wire or disconnect the wiring of protective grounding terminal.

• **Operating Conditions**

This apparatus shall not be exposed to dripping or splashing and that no objects filled with liquids, such as vases, shall be placed on this apparatus.

To reduce the risk of fire or electric shock, do not expose this apparatus to rain or moisture.

Do not use this apparatus near water. Install in accordance with the manufacturer's instructions. Do not install near any heat sources such as radiators, heat registers, stoves, or other apparatus (including amplifiers) that produce heat. Do not block any ventilation openings.

No naked flame sources, such as lighted candles, should be placed on the apparatus.

IMPORTANT SAFETY INSTRUCTIONS

- Read these instructions.
- Follow all instructions.
- Keep these instructions.
- Heed all warnings.
- Only use attachments/accessories specified by the manufacturer.
- **Power Cord and Plug**

Do not defeat the safety purpose of the polarized or grounding type plug.

A polarized plug has two blades with one wider than the other. A grounding type plug has two blades and a third grounding prong. The wide blade or the third prong are provided for your safety. If the provided plug does not fit into your outlet, consult an electrician for replacement of the obsolete outlet.

Protect the power cord from being walked on or pinched particularly at plugs, convenience receptacles, and the point where they exit from the apparatus.

- **Cleaning**

When the apparatus needs a cleaning, you can blow off dust from the apparatus with

a blower or clean with rag etc.

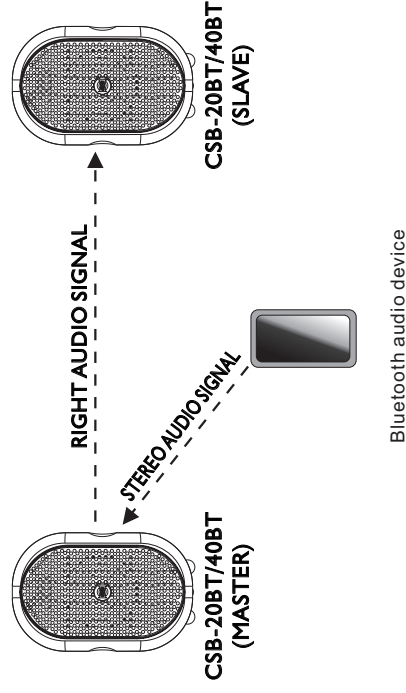
Don't use solvents such as benzol, alcohol, or other fluids with very strong volatility and flammability for cleaning the apparatus body. Clean only with dry cloth.

- **Servicing**

Refer all servicing to qualified personnel. To reduce the risk of electric shock, do not perform any servicing other than that contained in the operating instructions unless you are qualified to do so.

Servicing is required when the apparatus has been damaged in any way, such as power supply cord or plug is damaged, liquid has been spilled or objects have fallen into the apparatus, the apparatus has been exposed to rain or moisture, does not operate normally, or has been dropped.

TO SET-UP 2 LOUDSPEAKERS (STEREO)



Note: The loudspeaker that is connected to your source device is the "master"; the linked loudspeaker is the "slave". The source device sends its signal to the master, and the master relays the signal to the slave.

1. Press and hold the **PAIR BUTTON** for 3 seconds on both loudspeakers first. BT RED LEDs will flash and you will hear a tone (beep). wait 10 seconds.

2. Wait for **MASTER** and **SLAVE** to link.

When successfully linked, the tones will stop and BT RED LEDs will light solid on both speakers.

3. Choose a **MASTER** loudspeaker.

MASTER can be either loudspeaker. Be sure to choose only one. The remaining speaker will be the **SLAVE**.

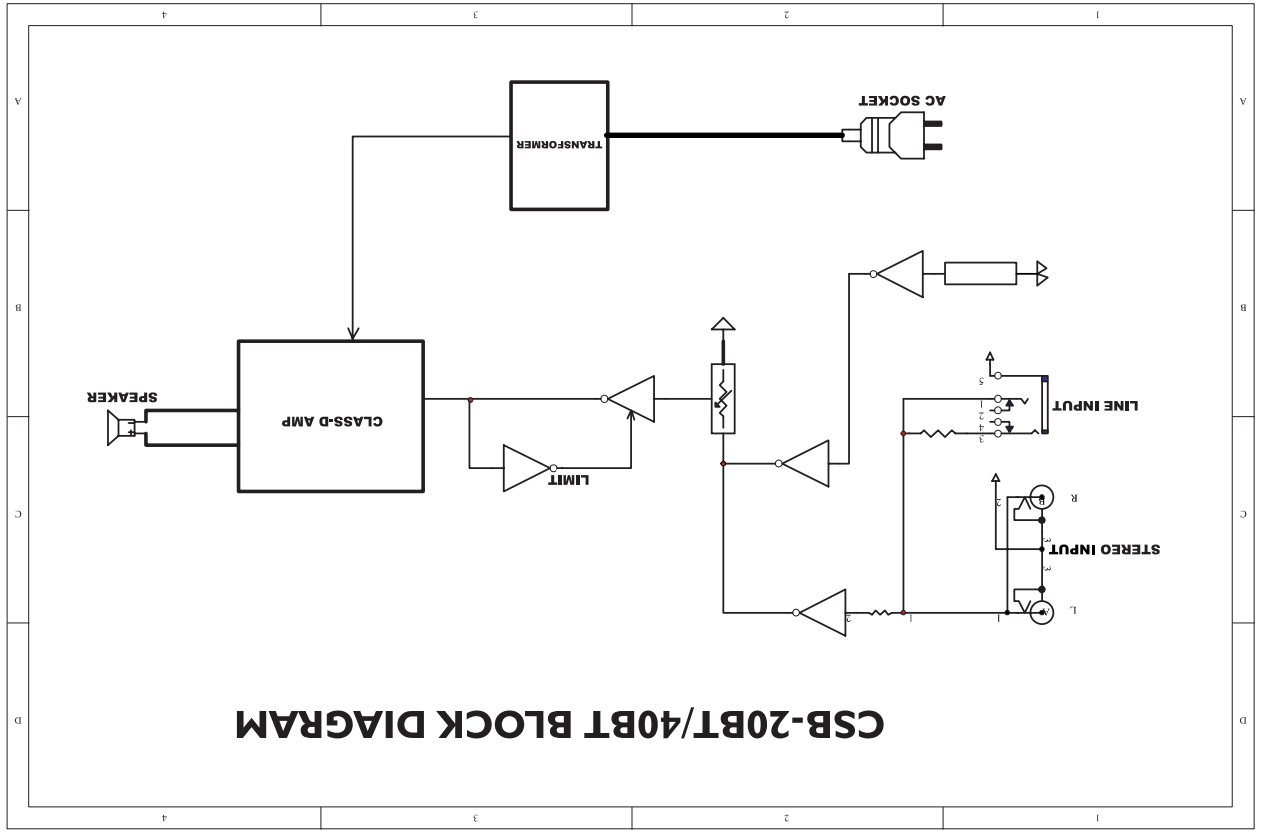
4. Press and release **PAIR BUTTON** on the **MASTER** loudspeaker only.

You should hear a tone (beep); the **PAIR BLUE LED** will flash.

5. Select **SEIKAKU BT2.1ONS** on your Bluetooth audio device. (iPhone, iPad, Bluetooth adapter etc.)

You should enter the password "2013", When your device's Bluetooth will pair.

BLOCK DIAGRAM



INTRODUCTION

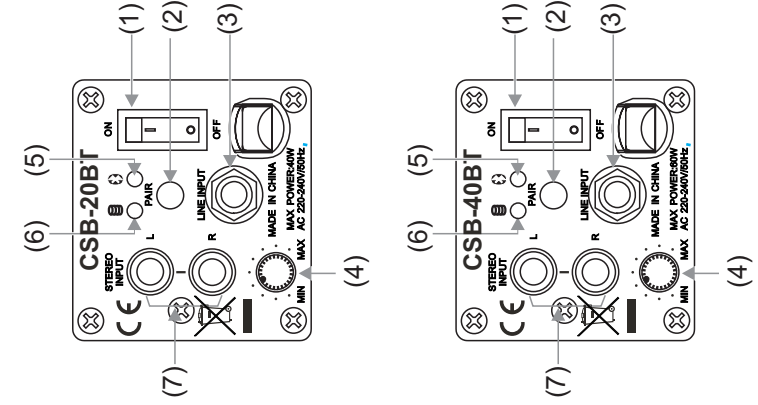
CSB-20BT/40BT series is designed for indoor installation and most public address system. It provides quality performance. Furthermore, we offer optional metal rotatable mounting bracket, thus you can install CSB speaker on wall easily. This new compact speaker series meet every demands for restaurants, supermarket, shopping mall, pubs, and so on.

The wireless loudspeakers will remember their pairing and linking settings even after they are powered off. When you turn the loudspeakers back on, they will automatically reconnect to each other. When the connections are re-established between the loudspeakers, the LINK LEDs will light continuously.

Enjoy your CSB series speaker cabinet and make sure that read this manual carefully before operation.

CONTROL ELEMENTS

REAR PANEL OVERVIEW



- (1) **POWER INPUT**
Turns the loudspeaker on/off. Make sure the **VOLUME** knob is set to "zero" before turning it on.
- (2) **PAIR BUTTON**
Press and release this pair button to pair the loudspeaker to your Bluetooth device.
Press and hold this pair button for 3 seconds on each speaker to "link" them for wireless stereo audio.
- (3) **BALANCED INPUT**
Use a standard 1/4"TRS cable to connect your sound source to this input.
- (4) **INPUT VOLUME**
Turn this knob to adjust the input volume.
- (5) **PAIR LED**
The Bluetooth **BLUE** LED will flash when the **MASTER** speaker is pairing your Bluetooth device.
The Bluetooth **BLUE** LED will light solid when successfully paired.
- (6) **LINK LED**
The Bluetooth **RED** LED will flash when the both speakers are linking.
The Bluetooth **RED** LED will light solid when successfully linked.
- (7) **STEREO INPUT**
Use a standard stereo RCA cable to connect your sound source to this inputs.

INSTALLATION DESCRIPTION

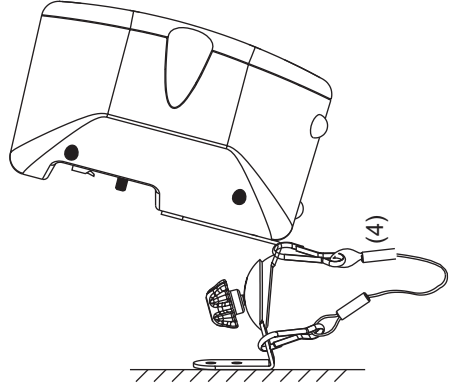
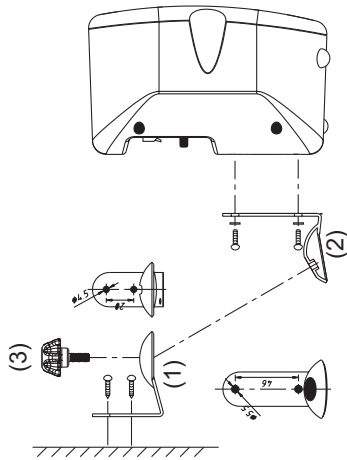
Note: Commercial audio installation system must conform to local building laws. When install speaker on wall or ceiling, please consult a building constructor with a license or a professional engineer. The corporation won't be responsible for the improper installation or damage because of not conforming to installation description.

Installation procedure of CS-2 bracket is very simple and convenient, the appearance is pleasing to the eye.

Step 1: Fasten the CS-2 bracket(1) on the wall with screws. The wall material must support the weight of the cabinet.

Step 2: Place the body of cabinet in CS-2 bracket(2) and lock the screws tightly

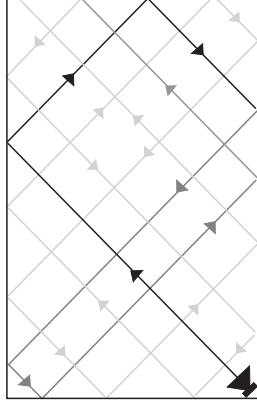
Step 3: Use screw (3) lock CS-2 bracket(1) and CS-2 bracket(2), and use steel rope (4) to connect two brackets.



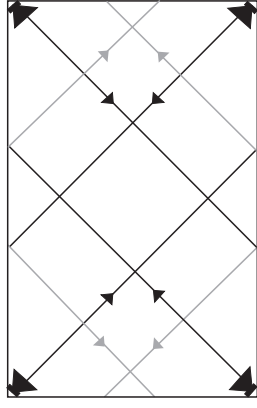
(eg:CSB-20BT)

INDOOR INSTALLATION DESCRIPTION:

CSB series speakers are designed specially for fixing and using in different circumstances. The property of speakers may be different due to different circumstances. There is an acoustic surface (wall, floor and ceiling) in a closed room, so the acoustic indoor will turn complex. When acoustic wave hits the surface, a part of acoustic energy is reflected, and others are absorbed. Reflection and absorption are depending on the frequencies of acoustic wave and angle of hitting surface. When operate the cabinet, both man and furniture can absorb the acoustic energy. Please note the position of man and furniture when installing. Reverberation is the results of the reflected acoustic wave continue bouncing between the surfaces. Every reflection will loss the energy. When the acoustic hit the reflection surface, the room will be filled with random reflected acoustic wave. The music and address will be complex. It is recommended that install more speakers and make the volume of speakers lower to reduce the reverberation in high reverberating room. (Please see figure 5B)

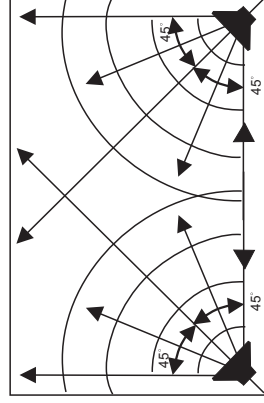


ONE LOUD SPEAKER
(figure5A)

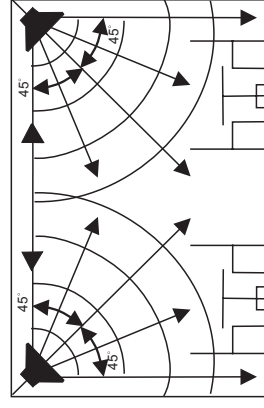


MULTIPLE QUIET SPEAKERS
(figure5B)

Speaker coverage range — Direct the center axile of the speaker to the flat surface of receiving area. The speakers of 90°x90° series can spread the speaker tone to all the directions at the axile of 45°. If you use the speakers in large room, you can divide the room to some zones. Then decide the installing location of the speakers. (Please see figure 6)



HORIZONTAL



VERTICAL

(figure6)